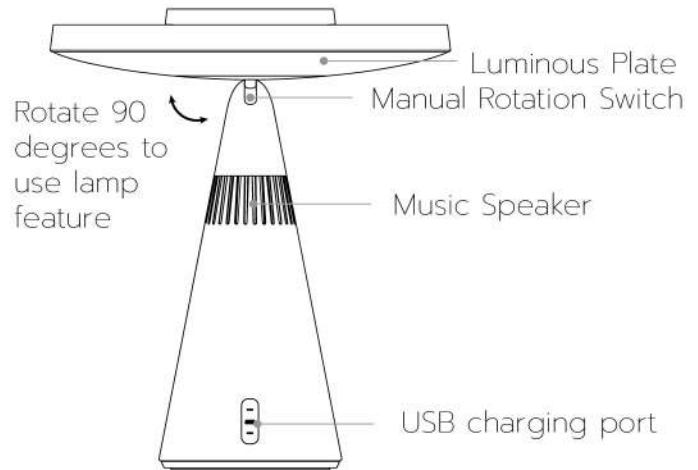
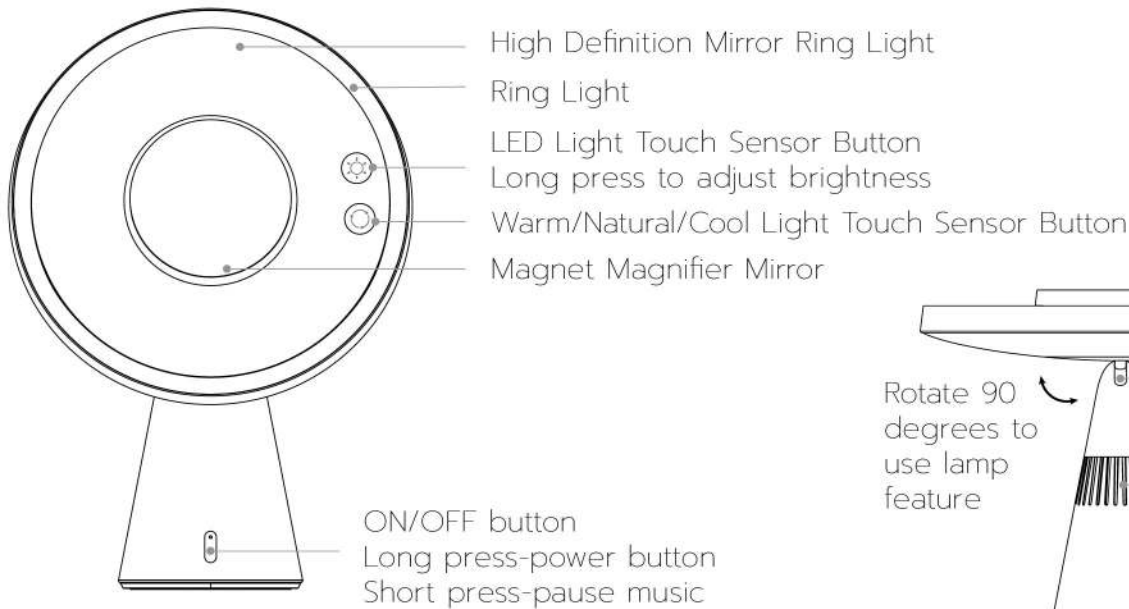


# GLAMMY

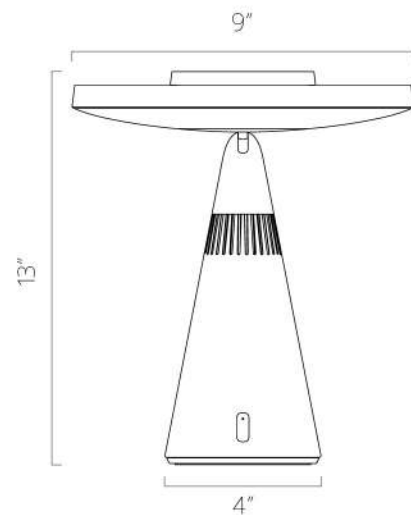
Ruby Dee - Makeup Mirror

Illustration, Specifications & Packing List



## Specifications

- [Material] ABS + Glass
- [LED Color Temperature] 3500k - 6500k ± 200k
- [Battery] Rechargeable polymer battery: 3000MAH
- [Input] DC 5V /2A
- [Output] maximum 6W
- [Net Weight] 890g ± 10g + magnifier mirror 71g
- [Size] 23.1\*10.5\*34cm



## Packing List



Bluetooth Speaker  
Lamp Mirror



Magnetic Magnifier  
Mirror



USB Charging Cable



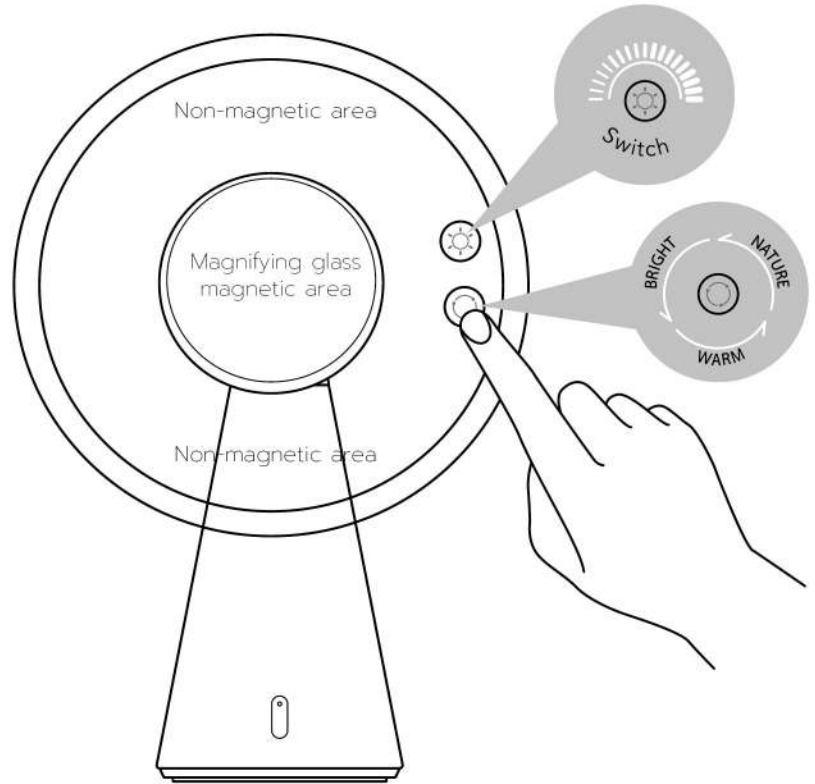
Instruction Manual

\* We reserve the right to make any modifications to the design and specifications of this product, all the materials here are for reference only and are subject to change. No further notice will be given for any technical changes made.

**1**

### LED Mirror Operation -

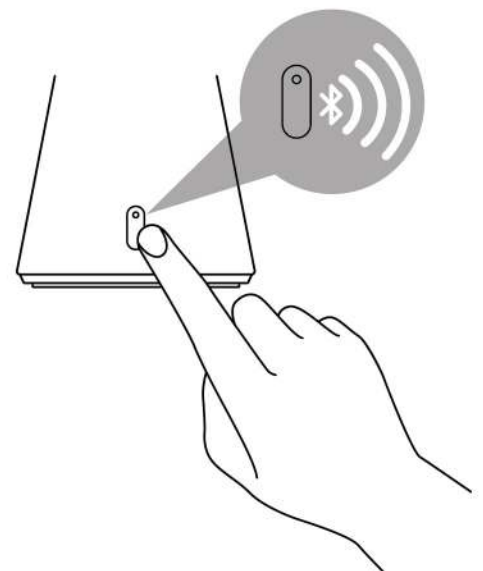
Press LED Light Touch Sensor LED Light Touch Sensor Button to power light ON or OFF. Long press to adjust brightness.



**2**

### Bluetooth Operation -

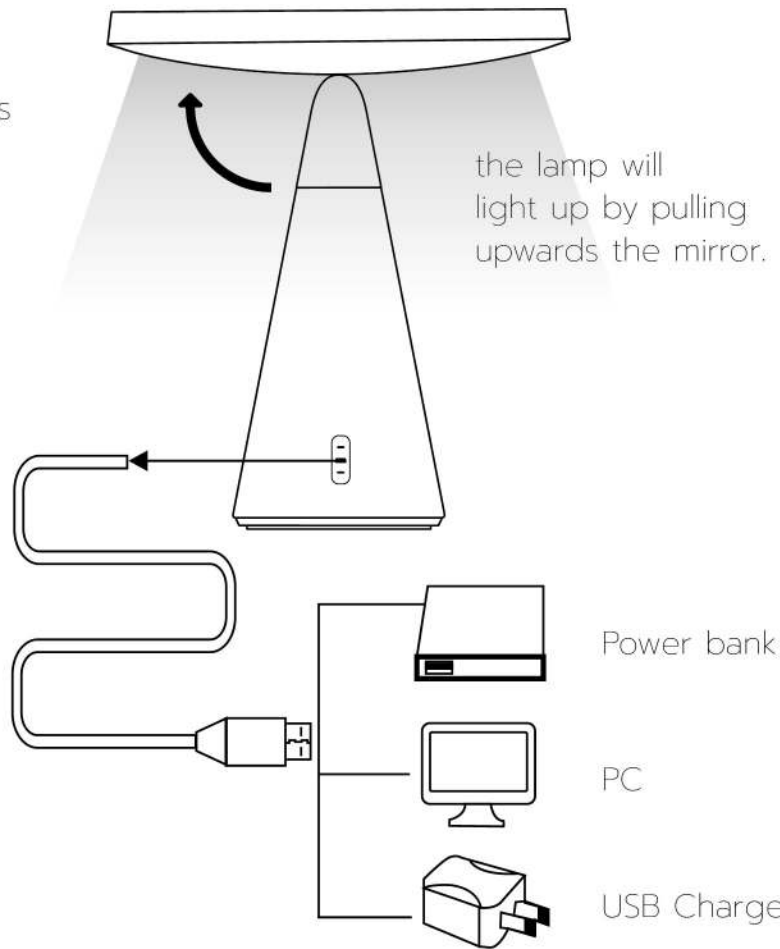
Long press the Bluetooth ON/OFF Button to use the Bluetooth feature. When Bluetooth mode is turned on a blue light will flash. Follow the speech prompts and instructions on your phone or other device to connect Bluetooth feature. You may use the Bluetooth feature will automatically pause if the battery is low or it has been on standby over 3 minutes.



**3**

### Lamp Operation -

Lamp mode automatically turns on when mirror is rotated perpendicular to the base.



**4**

### Charging Operation -

Pull off the USB protection cover and plug USB charging cable into the USB port. The indicator light will turn red during charging. Red indicator light turns blue when fully charged.

## Safety Instructions

- ⚠ Read all instructions carefully before using.
- ⚠ Do not disassemble or refit the product. [Read all instructions carefully before using.
- ⚠ Press LED Light Touch Sensor Button firmly to operate. Please charge device if touch sensor fails and keep the voltage normal.
- ⚠ Do not place the product in a wet environment as this may reduce battery life.
- ⚠ Keep the mirror dry; moisture reduces the sensitivity of the product.
- ⚠ Turn off the power before cleaning. The surface of the mirror should be cleaned with glass cleaner; make sure the mirror and your hands are completely dry before using.
- ⚠ Turn off the power and avoid direct sunlight for storage. Keep away from children.
- ⚠ Make sure that your charging device is adequate for the mirror voltage rating before using.
- ⚠ Keep product away from flammable material and any source of flame. In case of a fire or explosion, stay away from the product.

