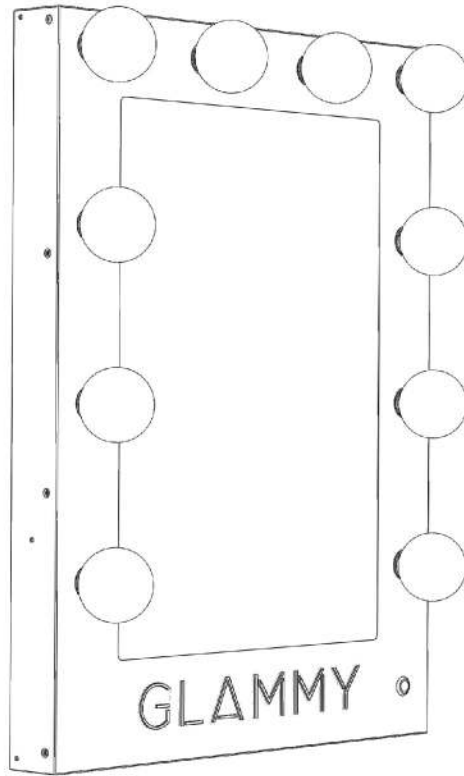
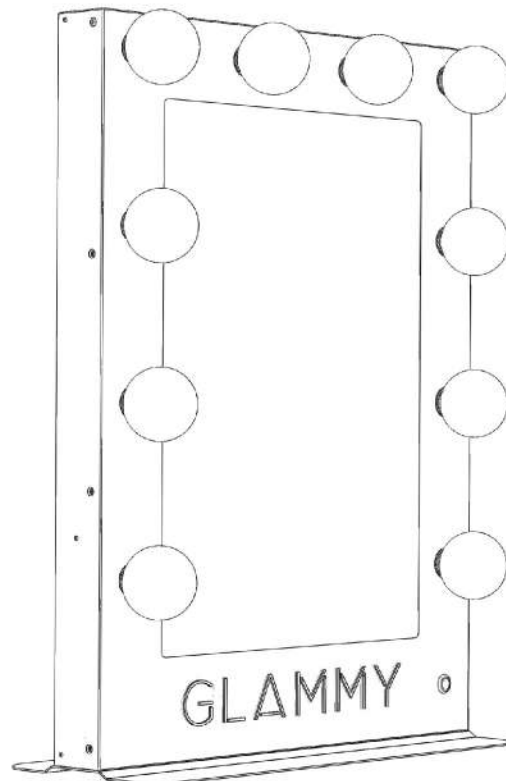


Ginger Wall Mount
page 2-4



Ginger Table Top
page 5-6

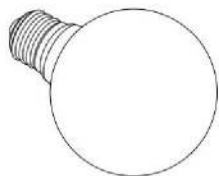


GLAMMY

Wall Mount Instructions

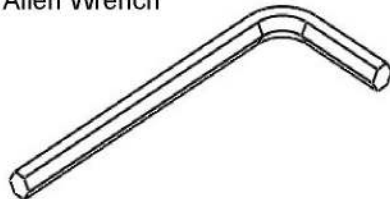
Parts & Hardware List

24V DC Bulb



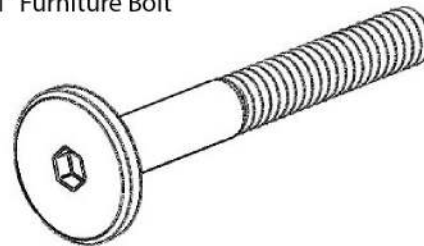
Qty:10

4mm Allen Wrench



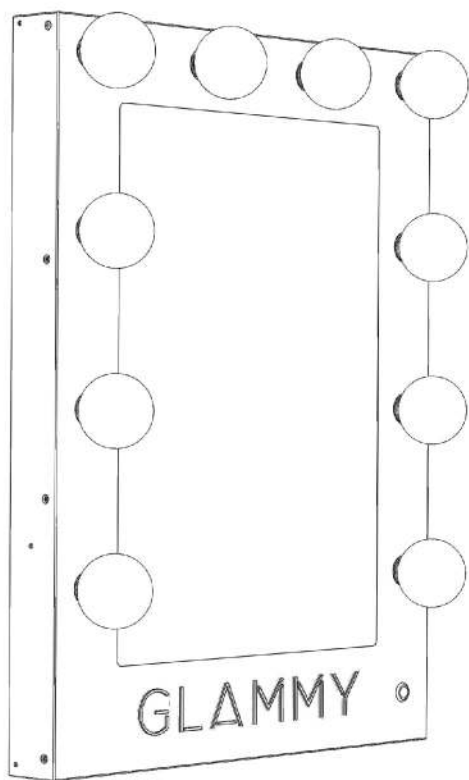
Qty: 1

1" Furniture Bolt



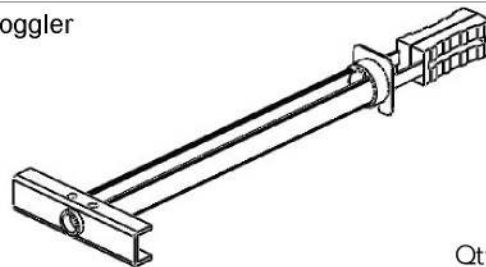
Qty: 2

Ginger Frame and Mirror



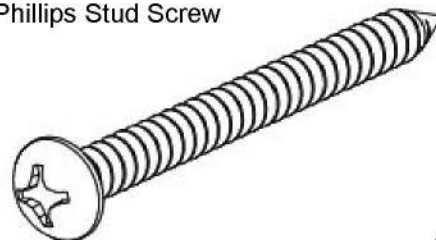
Qty: 1

Toggler



Qty: 2

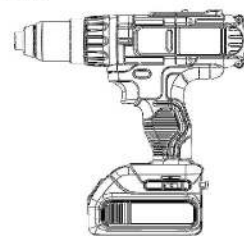
2" Phillips Stud Screw



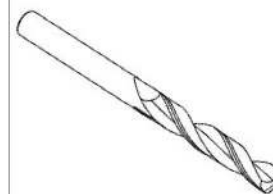
Qty: 2

Additional Tools Required

Drill



1/2" Drill Bit



WARNING:

USE ONLY SINGLE VOLTAGE INPUT, 24V, DC, DIMMABLE LIGHT BULBS.

DO NOT use range input DC bulbs (i.e. 12-24V DC).

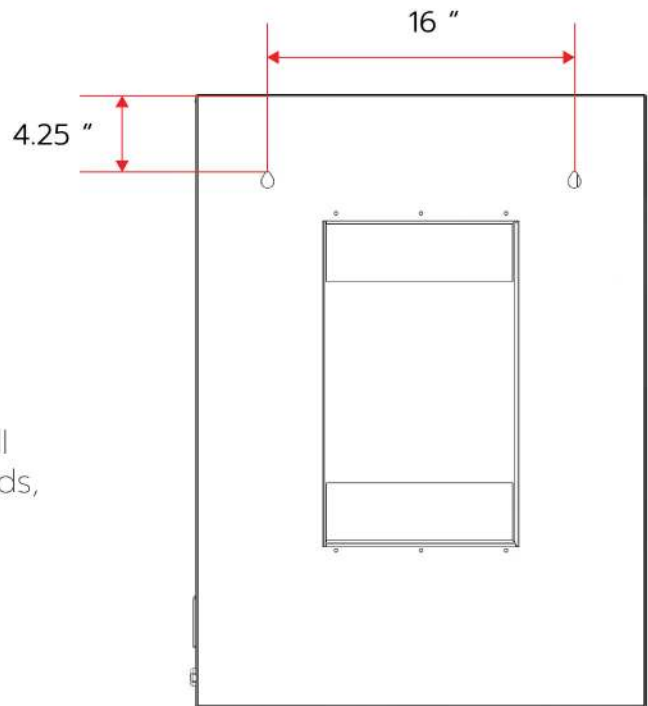
DO NOT alter the product. This may result to cancellation of your warranty.

To ensure the safety of your product we recommend purchasing replacement bulbs from Glammy only.

1 Pre-mark Mounting Holes

In order to mount your mirror to a wall, mark two mounting holes 15 inches apart. For reference, the top edge is 4.25 inches from the mounting holes.

NOTE: Toggles are given for mounting to drywall as shown in Step 2 & 3. If mounting to wood/studs, use 2" Stud Screws included and skip Step 2.

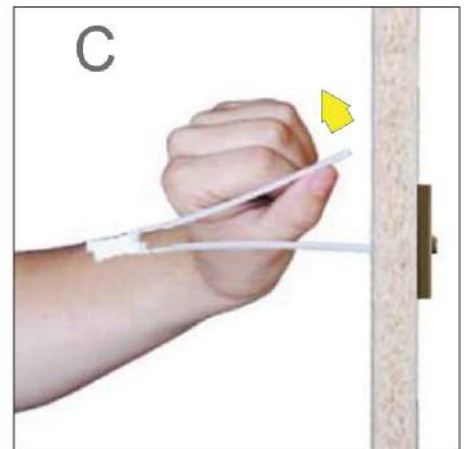
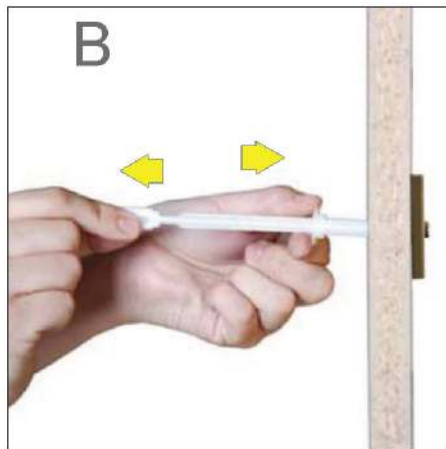
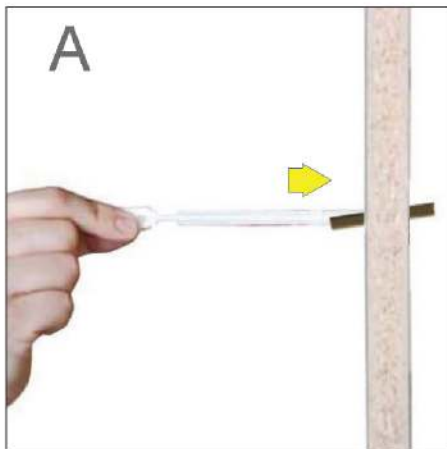
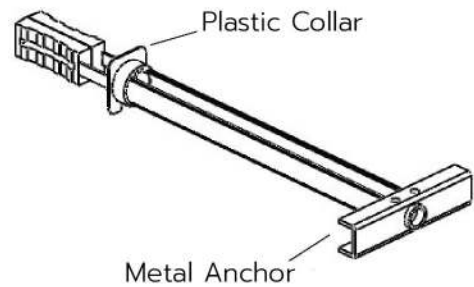


2 Insert Toggles

A: Drill a 1/2" hole. Slide Metal Anchor of Toggle through hole. Minimum clearance behind wall is 1-7/8".

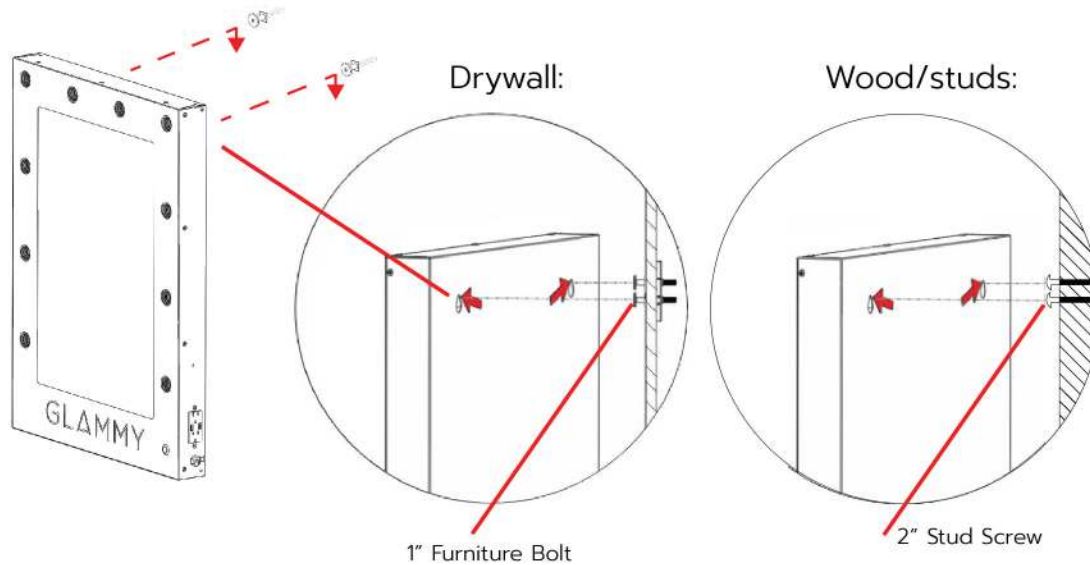
B: Pull end of Toggle until Metal Anchor is flush against inside of wall. Push Plastic Collar into wall to lock in place.

C: Snap exposed material off, flush with Plastic Collar.



3 Mount mirror to Wall

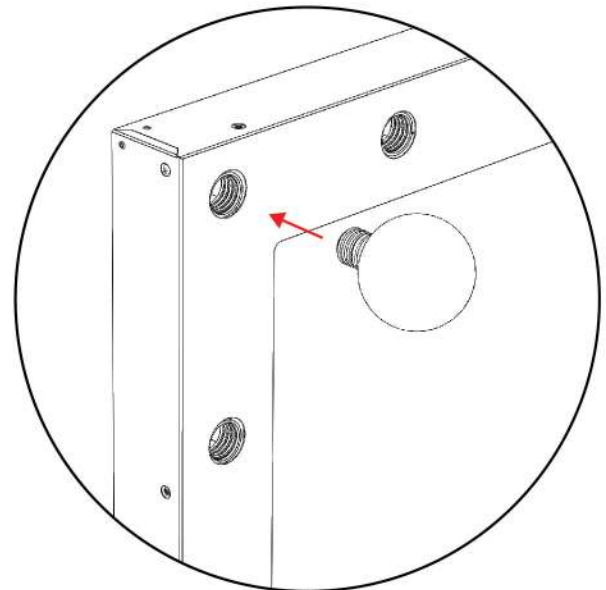
Insert two Furniture Bolts into Toggles or directly screw in two Stud Screws. Leave about 1/4" of Bolt/Screw exposed. Mount to wall by inserting bolt/screw into wider part of hole and lowering the mirror.



4 Insert Bulbs

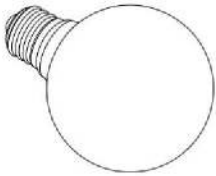
Screw in (10) 24V DC Bulbs.

WARNING:
ALL POWER CABLES MUST BE UNPLUGGED



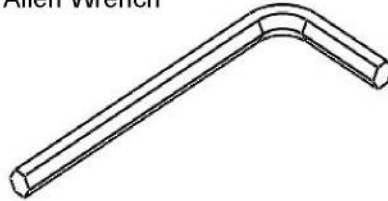
WARNING:
USE ONLY SINGLE VOLTAGE INPUT, 24V, DC, DIMMABLE LIGHT BULBS.
DO NOT use range input DC bulbs (i.e. 12-24V DC).
DO NOT alter the product. This may result to cancellation of your warranty.
To ensure the safety of your product we recommend purchasing replacement bulbs from Glammy only.

24V DC Bulb



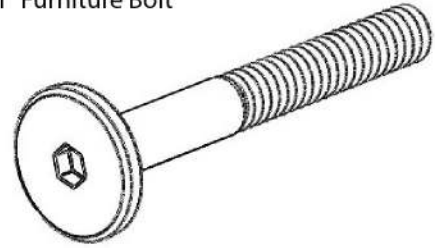
Qty: 10

4mm Allen Wrench



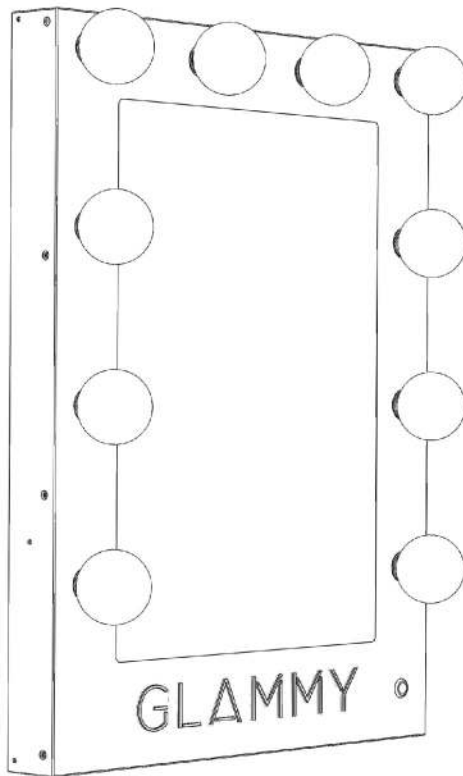
Qty: 1

1" Furniture Bolt



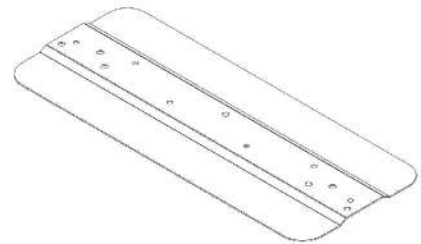
Qty: 6

Ginger Frame and Mirror



Qty: 1

Base



Qty: 1

WARNING:

USE ONLY SINGLE VOLTAGE INPUT, 24V, DC, DIMMABLE LIGHT BULBS.

DO NOT use range input DC bulbs (i.e. 12-24V DC).

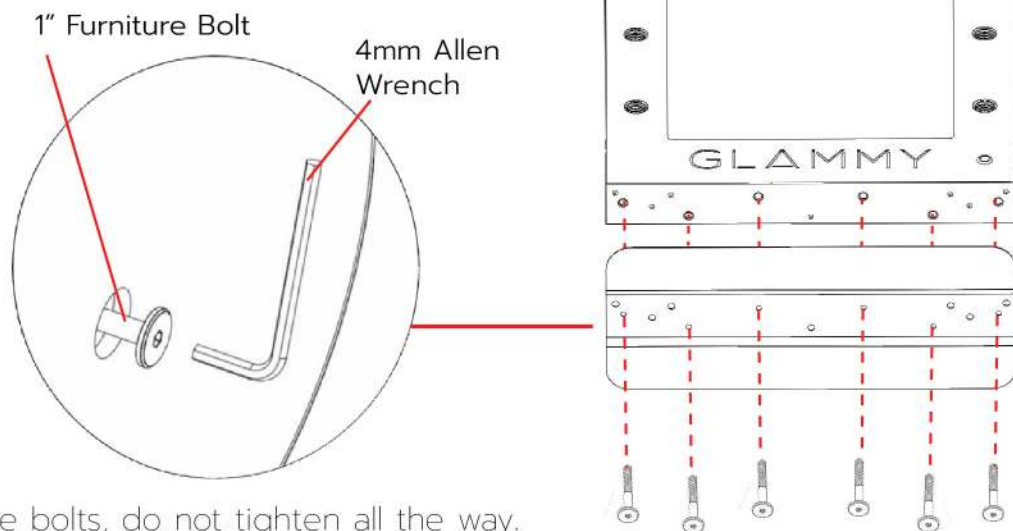
DO NOT alter the product. This may result to cancellation of your warranty.

To ensure the safety of your product we recommend purchasing replacement bulbs from Glammy only.

1 Attach Ginger Base

Carefully lay the mirror onto its back. Insert six 1" Furniture Bolts through the Base and tighten with Allen Wrench.

Note: The metal base has additional, larger holes to provide clearance for the rivets. The 6 smaller holes are to be used for the bolts.

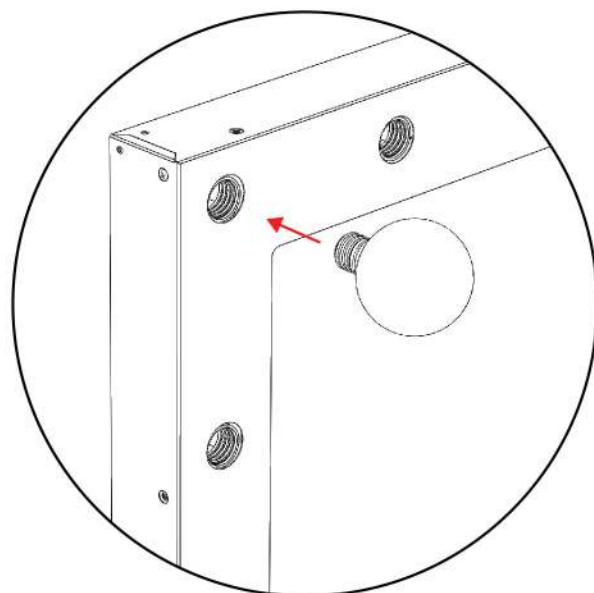


Tip: When screwing in the bolts, do not tighten all the way. Insert all six bolts loosely at first and once in place, tighten all.

2 Insert Bulbs

Screw in (10) 24V DC Bulbs.

WARNING:
ALL POWER CABLES MUST BE UN-PLUGGED



WARNING:
USE ONLY SINGLE VOLTAGE INPUT, 24V, DC, DIMMABLE LIGHT BULBS.
DO NOT use range input DC bulbs (i.e. 12-24V DC).
DO NOT alter the product. This may result to cancellation of your warranty.
To ensure the safety of your product we recommend purchasing replacement bulbs from Glammy only.

Touch Dimmer Use

- Tap once to turn lights on/off.
- Touch and hold dimmer to dim/brighten lights.
- To reverse dimming direction simply remove your finger and try again.

Product Warning

This is not a toy and is designed for adult use only.

- Keep out of reach of children.
- Do not leave wet items such as towels or opened water bottles on or around unit.

DANGER - Keep away from water!

- As with most electrical appliances electrical parts remain live when the switch is turned off. Reduce your risk of death or injury by unplugging when not in use.
- Be sure your outlets are capable of handling the voltage this product generates. We suggest you use a GFI outlet at a minimum, please consult your electrician if you have any concerns.
- Use only 'UL' approved appliances and unplug them after use.

Exposed Bulbs

- These bulbs are hot. Use only the recommended wattage/voltage. Exceeding the specifications can damage the product and cause a safety issue. The bulbs should be single voltage input, 4 Watt - 24 Volts.
- Never touch a bulb that has been turned on. Wait for the bulb to cool or you risk a burn injury.
- Never wipe a hot bulb with a wet or damp cloth.
- Never place your hands, face or other body parts near or around the bulbs.
- Keep flammable items such as papers and hair sprays away from bulbs and never spray any products directly toward the mirror or bulbs.
- Never let your hairdryer, hair-iron or other USB devices' cords touch the bulbs.
- Never pull or yank the cords plugged into the mirror outlets.
- Never rock the unit and be cautious when moving in the vicinity of the mirror. Any action resulting in tipping over and dropping the mirror due to lack of attention is your responsibility.

Please use your table for its intended use. Do not sit, stand or lay down on the table. Do not use as a storage device. Keep area clean and free of debris at all times. This is a household product intended for non-commercial, personal use only.

This is not intended to cover all potential issues or situations with using this product, however, should injury or fire occur, please contact your local emergency or safety personnel in your area.

Please call us at 1-800-425-1181 with any questions or concerns.